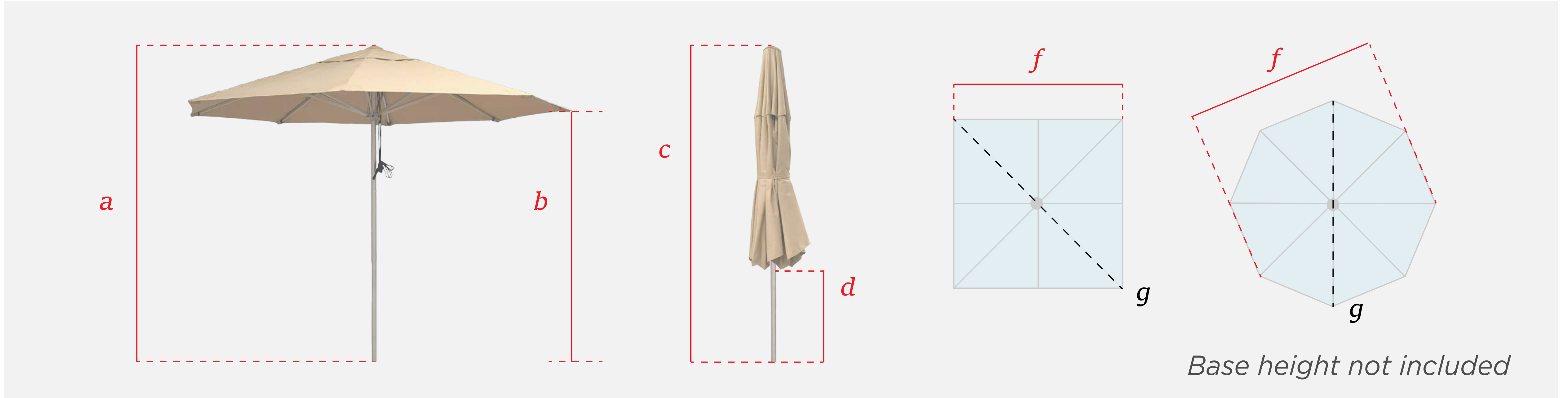


Venus Umbrella

Opened & closed specification



Style	Square	Square	Square	Octagon	Octagon	Octagon
Sizes	2m	2.5m	3m	2.8m	3.5m	4.3m
a/c: mast height (mm)	2600	2700	3000	2600	2700	3000
b: canopy clearance (mm)	2100	2100	2100	2100	2100	2100
d: table clearance (mm)	1100	880	700	1100	880	700
f: flat to flat (mm)	2000	2500	3000	2600	3260	3920
g: point to point (mm)	2800	3500	4200	2800	3500	4300
canopy shade area (m ²)	4	6.25	9	5.46	8.6	12.64
Installed wind rating (kph)	60	60	50	70	60	50
Umbrella weight (kg)	9.5	15	22	13.1	17.5	22.9
Package size (L/W/H cm)	21x21x161	24x24x199	24x24x303	24x24x161	24x24x278	25x25x303