

STAR SHADE MARQUEES

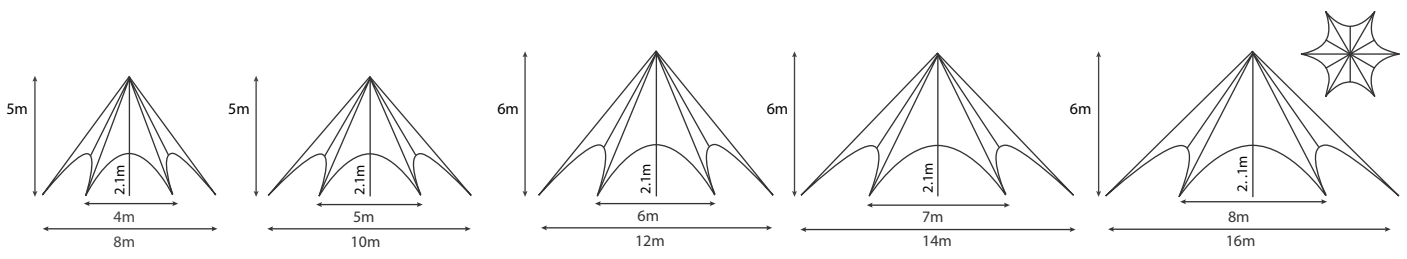
- EASY SET-UP
- 99.99% UV

Hercules STAR MARQUEES are distinctive in design. Their unique shape ensures they will be noticed at any events while also offering much needed protection from the harsh New Zealand sun. This unit offers functionality, stylish appearance and fantastic value. They are the ideal promotional shelter and have large, flat panels that are perfect for digital printing.

SINGLE PEAK STAR


8M, 10M, 12M, 14M, 16M Diameter

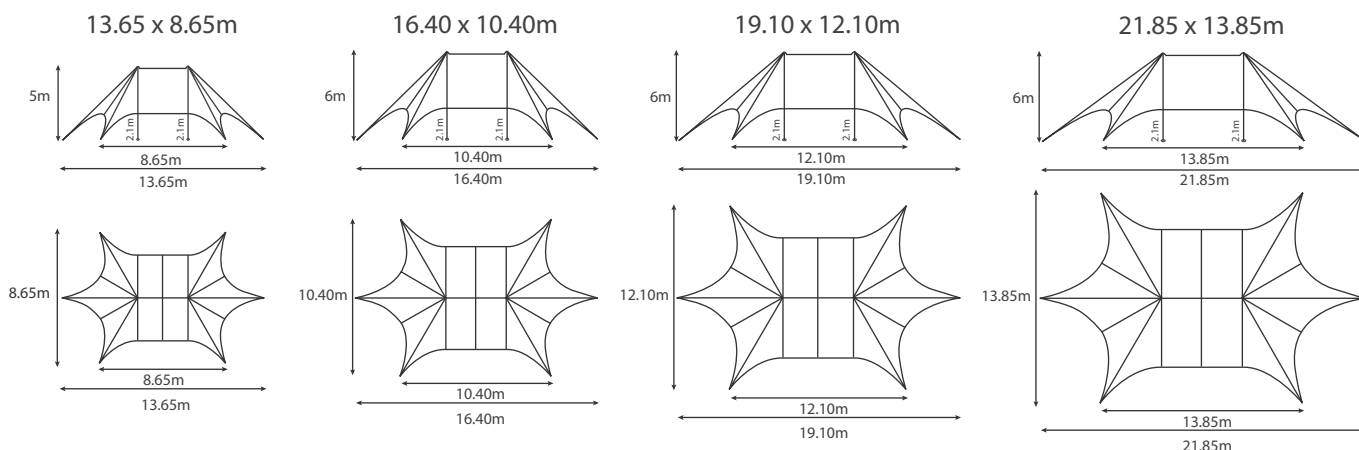
Size	8M	10M	12M	14M	16M
Max Height	5M	5M	6M	6M	6M
Head Clearance	2.1M	2.1M	2.1M	2.1M	2.1M
Frame Weight	30KG	30KG	35KG	35KG	35KG
Poly Roof Weight	15KG	17KG	21KG	35KG	35KG
Frame Profile	72mm Dia Aluminium Tube, 3.0mm Thickness, Steel Feet				
Roof Fabric	Commercial Grade Polyester/ 580GSM PVC				
Roof Standard Colour					
Custom Print	Full-colour Digital Print/Full Sublimation				
Package Includes	Steel pins, Ground sheet, Protective cover				
Warranty	3 Year Manufacturer's Warranty on frame*				



DOUBLE PEAK STAR

13.65 X 8.65M, 16.4 X 10.4M, 19.1 X 12.1M, 21.85 X 13.85M

Size	13.65 X 8.65M	16.4 X 10.4M	19.1 X 12.1M	21.85 X 13.85M
Max Height	5M	6M	6M	6M
Head Clearance	2.1M	2.1M	2.1M	2.1M
Frame Weight	60KG	70KG	70KG	70KG
Poly Roof Weight	36KG	51KG	66KG	77KG
Frame Profile	72mm Dia Aluminium Tube, 3.0mm Thickness, Steel Feet			
Roof Fabric	Commercial Grade Polyester/ 580GSM PVC			
Roof Standard Colour				
Custom Print	Full-colour Digital Print/Full Sublimation			
Package Includes	Steel pins, Ground sheet, Protective cover			
Warranty	3 Year Manufacturer's Warranty on frame*			



Suggested Capacity

SINGLE PEAK STAR MARQUEES			DOUBLE PEAK STAR MARQUEES		
Size	Seating with chairs	Seating with tables	Size	Seating with chairs	Seating with tables
8M	30	16	13.65x8.6M	110	55
10M	49	24	16.4x10.4M	140	90
12M	70	44	19.1x12.1M	160	120
14M	120	60	21.8x13.8M	280	150
16M	160	76			

Hercules Wellington
 A: 13 Aglionby St, Lower Hutt
 P: 04 5699715
 E: info@herculesgazebo.co.nz

Hercules Auckland
 A: 1/110 Mays Rd, Onehunga
 P: 09 5731458
 E: auckland@herculesgazebo.co.nz

Hercules Christchurch
 A: 66 Magdala Pl, Middleton
 P: 03 3746381
 E: christchurch@herculesgazebo.co.nz